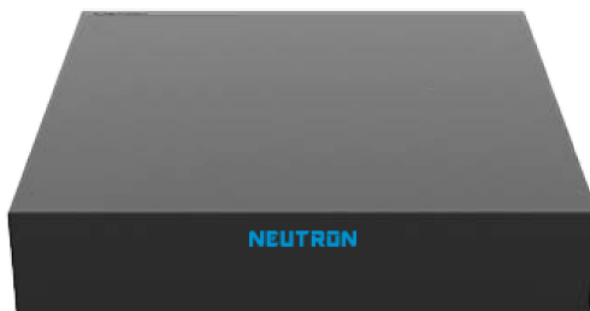


Digital Video Recorder

NEU-XVR108-FHD



Features

- Support H.265/H.264 video formats
- Support audio over coaxial cable(only for TVI cameras)
- Support analog camera upgrade over coaxial cable
- Support TVI, AHD, CVI, CVBS, IP cameras with adaptive access
- 8-channel BNC input
- Support 1-ch HDMI output, 1-ch VGA output at up to 1920*1080
- HDMI and VGA simultaneous output
- Long transmission distance over coaxial cable
- Support mainstream cameras of ONVIF and RTSP protocols

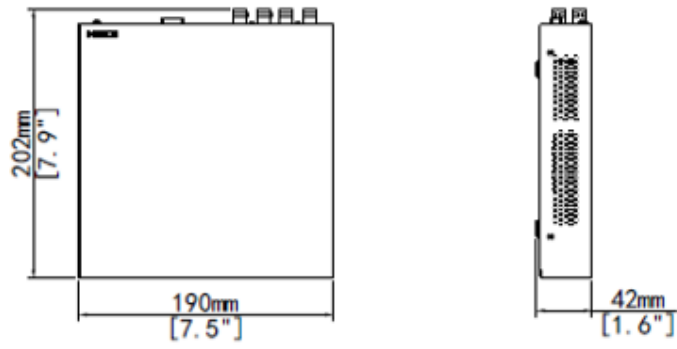
Specifications

Video/Audio Input	Description
IP Video Input	2-ch
Analog Video Input	NEU-XVR104-FHD:8-ch, BNC
Max IP Video Input	NEU-XVR104-FHD:10-ch

Supported Analog Camera Types	Support AHD input: 1080P@30fps 720P@30fps Support TVI input: 1080P@30fps 720P@30fps Support CVI input: 1080P@30fps 720P@30fps Support CVBS input
Video/Audio Output	Description
HDMI Output	HDMI:1920x1080/60Hz, 1920x1080/50Hz, 1600x1200/60Hz, 1280x1024/60Hz, 1280x720/60Hz, 1024x768/60Hz
VGA Output	VGA: 1920x1080p/60Hz, 1920x1080p/50Hz, 1600x1200/60Hz, 1280x1024/60Hz, 1280x720/60Hz, 1024x768/60Hz
Live View Display	NEU-XVR108-FHD:HDMI/VGA:1/4/6/8/9/16
Encoding/Decoding	Description
Recording Resolution	1080P Lite/720P/D1
Recording Frame Rate	NEU-XVR108-FHD:Main stream: 1080P Lite@15fps Sub stream: D1@12fps Main stream: 720P@15fps Sub stream: D1@15fps
Audio Sample Rate	8KHz,16 bit per channel
Audio Bit Rate	64Kbps per channel
Decoding Capability	NEU-XVR108-FHD:Analog:8x 1080P Lite @15, 8x 720P @15 IP: 1 x 6MP@20, 2 x 1080P@30
Two-way Audio	Description
Two-way Audio	NA
Analog Snapshot	Description
FTP/Schedule/Event Snapshot	NEU-XVR108-FHD:FTP/Event snapshot:8-ch snapshot, up to 704*576 resolution, Schedule snapshot:not supported
Network	Description
Incoming Bandwidth	NEU-XVR108-FHD:24Mbps (Up to 40Mbps after all analog channel conversion)
Outgoing Bandwidth	NEU-XVR108-FHD:64Mbps

Remote Users	128
Protocols	TCP/IP;P2P;UPnP;NTP;DHCP;HTTP;HTTPS;DNS;DDNS;SMTP
Browser(Plugin)	IE(IE10/11) Firefox (version 52.0 and above) Chrome(version 45 and above) Edge(version 79 and above)
Smart	Description
Analog Smart by XVR	Ultra Motion Detection(UMD)
VCA Search	Behavior Search
Smart Functions by XVR	NEU-XVR108-FHD:8-ch(UMD)
Alarm	Description
General Alarm	Motion
Alert Alarm	IP Conflict;Network Disconnected;Disk offline;Disk Abnormal;Illegal Access;Hard Disk Space Low;Hard Disk Full;Recording/Snapshot Abnormal
Hard Disk	Description
SATA	1 SATA interface
Capacity	Up to 8TB for each HDD
External Interface	Description
Network Interface	1 RJ45 10M/100M self-adaptive Ethernet Interface
USB	Rear panel: 2 x USB2.0
Power Supply	DC 12V/1.5A
Working Environment	Description
Working Temperature	-10° C ~ + 55° C (+14° F ~ +131° F)
Working Humidity	≤ 90% RH(non-condensing)
Power Consumption (without HDD)	≤ 10W
Dimensions	Description
Weight (without HDD)	NEU-XVR108-FHD:≤0.6 Kg (1.32lb)
Dimensions	NEU-XVR108-FHD:190mm × 202mm × 42mm (7.5" × 7.9" × 1.6")
Certification	Description
Certification	CE, FCC, UL, RoHS, WEEE
CE	EN 55032, EN 61000-3-3, EN IEC 61000-3-2, EN 55035
FCC	Part15 Subpart B

Dimensions



Rear Panel

