

Network Video Recorder

NVR302-E2 Series



Key Features

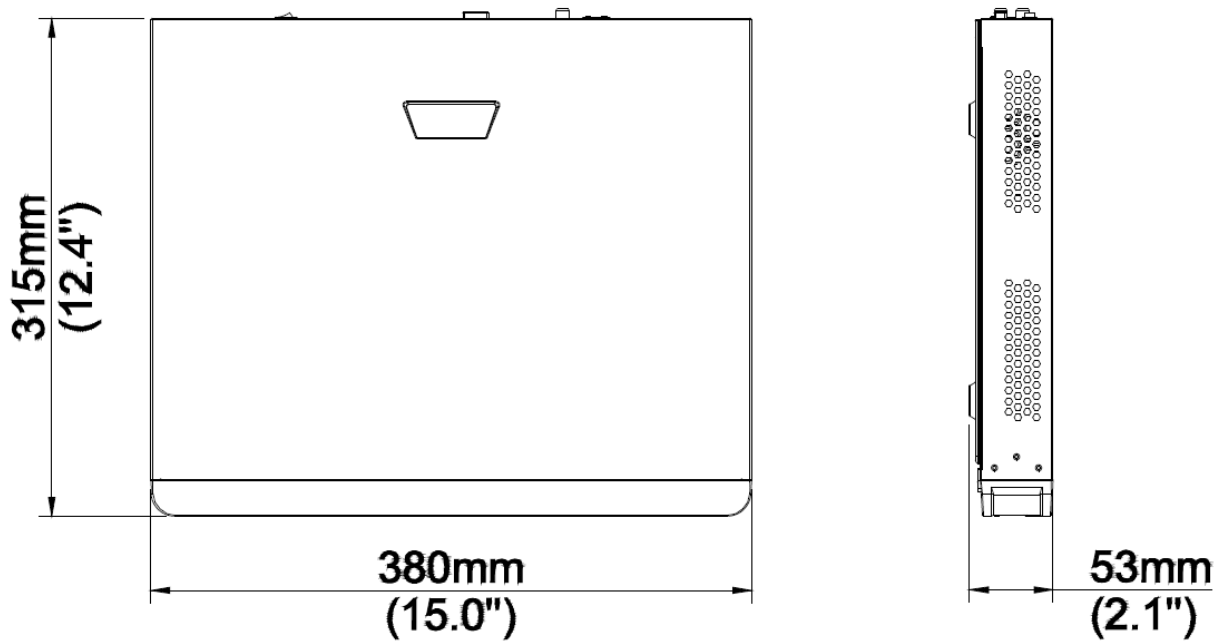
- Support Ultra H.265/H.265/H.264 video formats
- 9-channel input
- Supports mainstream cameras of ONVIF conformance(Profile S, Profile G, Profile T) and RTSP protocols
- Support 1-ch HDMI, 1-ch VGA. HDMI up to 4K (3840x2160) resolution
- HDMI and VGA independent outputs provided
- Up to 12 Megapixels resolution recording
- 2 SATA HDDs, Up to 8TB for each HDD
- Various fisheye dewarping modes for live view and playback for both web interface and GUI
- ANR technology to enhance the storage reliability when the network is disconnected
- Support cloud upgrade

Specifications

Model	NVR302-09E2
Video/Audio Input	
IP Video Input	9-ch
Two-way Audio Input	1-ch, RCA
Network	
Incoming Bandwidth	320Mbps
Outgoing Bandwidth	180Mbps
Remote Users	128
Protocols	TCP/IP, P2P, UPnP, NTP, DHCP, PPPoE, HTTP, HTTPS, DNS, DDNS, SNMP, SMTP, NFS
Browser	IE(IE10/11) for Windows Firefox (version 52.0 and above) for Windows Chrome(version 45 and above) for Windows Edge(version 79 and above) for Windows
Video/Audio Output	
HDMI/VGA Output	VGA: 1920x1080p/60Hz, 1920x1080p/50Hz, 1600x1200/60Hz, 1280x1024/60Hz, 1280x720/60Hz, 1024x768/60Hz HDMI: 4K (3840x2160)/30Hz, 1920x1080p/60Hz, 1920x1080p/50Hz, 1280x1024/60Hz, 1280x720/60Hz, 1024x768/60Hz
Recording Resolution	12MP/8MP/6MP/5MP/4MP/3MP/1080p/960p/720p/D1/2CIF/CIF
Audio Output	1-ch, RCA
Audio Compression	G.711A, G.711U
Synchronous Playback	16-ch
Live View Display	1/4/6/8/9
Corridor Mode Screen	3/4/5/7/9
Snapshot	
FTP/Schedule/Event Snapshot	16-ch snapshot, up to 1080P resolution
Decoding	
Decoding Format	Ultra 265, H.265, H.264
Live View/Playback	12MP/8MP/6MP/5MP/4MP/3MP/1080p/960p/720p/D1/2CIF/CIF
Capability	1 x 12MP@30, 2 x 4K@30, 5 x 4MP@30, 9 x 1080P@30
Hard Disk	
SATA	2 SATA interfaces
Capacity	Up to 8TB for each disk (The maximum HDD capacity varies with environment temperature)
eSATA	NA
Disk Group	Support
Smart	

VCA Detection by Camera	Intrusion Detection, Cross Line Detection, Enter Area, Leave Area, Defocus Detection, Scene Change Detection, Object Left Behind, Object Removed, Auto Tracking
VCA Search	Behavior Search, Vehicle Search
People Counting	People Flow Counting, Crowd Density Monitoring
Smart Intrusion Prevention (SIP), Vehicle Detection by Camera	Total 8-ch
General Alarm	
General Alarm	Motion, Tampering, Human Body Detection, Video Loss, Input Alarm, Audio Detection
Alert Alarm	IP Conflict, Network Disconnected, Disk Offline, Disk Abnormal, Illegal Access, Hard Disk Space Low, Hard Disk Full, Recording/Snapshot Abnormal
External Interface	
Network Interface	2 RJ45 10M/100M/1000M self-adaptive Ethernet Interfaces
USB Interface	Front panel: 1 x USB2.0, Rear panel: 1 x USB2.0 1 x USB3.0
RS232	NA
RS485	1
Alarm In	8-ch
Alarm Out	2-ch
General	
Power Supply	12VDC/3.3A Power Consumption: ≤ 12 W (without HDD)
Working Environment	-10°C~+ 55°C (+14°F~+131°F), Humidity ≤ 90% RH (non-condensing)
Dimensions (W×D×H)	380mm × 315mm × 53mm (15.0" × 12.4"× 2.1")
Weight (without HDD)	≤1.8Kg (3.97lb)
Certification	
Certification	CE, FCC, UL, RoHS, WEEE
CE	EN 55032: 2015, EN 61000-3-3: 2013, EN IEC 61000-3-2: 2019, EN 55035: 2017
FCC	Part15 Subpart B, ANSI C63.4

Dimensions



Rear Panel

