

Network Video Recorder

NVR304-S Series



Key Features

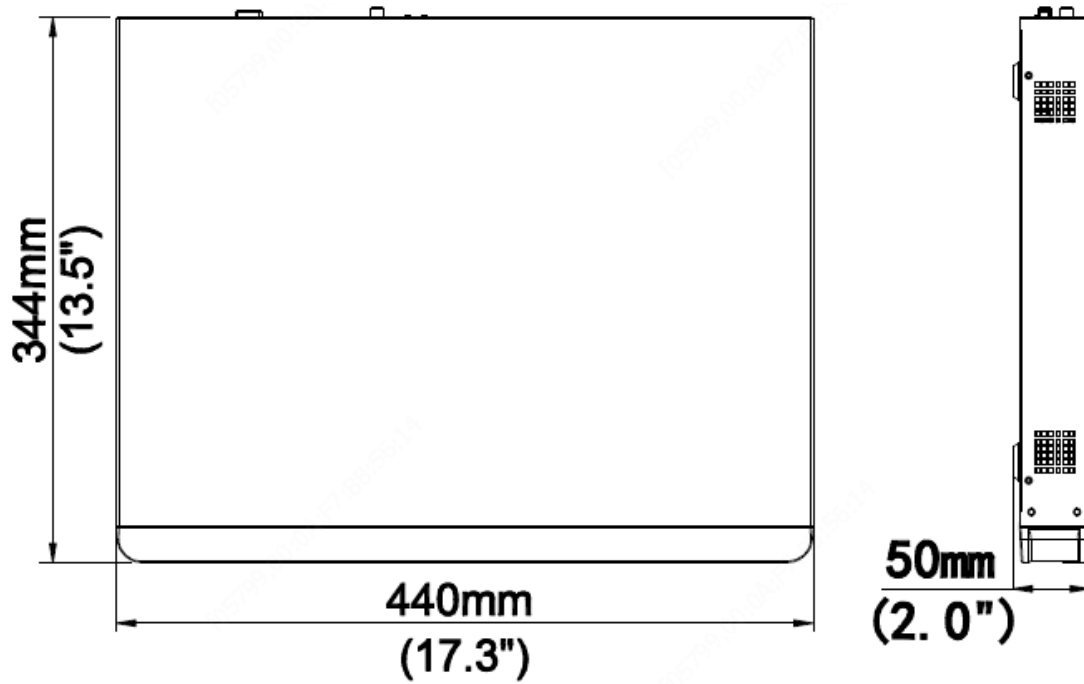
- Support Ultra265/H.265/H.264 video formats
- 32-channel input
- Support mainstream cameras of ONVIF conformance(Profile S, Profile G, Profile T) and RTSP protocols
- HDMI and VGA simultaneous output
- Up to 8 Megapixels resolution recording
- Accurate retrieval, instant playback
- 4 SATA HDDs, up to 8TB for each HDD
- ANR technology to enhance the storage reliability when the network is disconnected
- Support cloud upgrade

Specifications

| | |
|-----------------------------|---|
| Model | NVR304-32S |
| Video/Audio Input | |
| IP Video Input | 32-ch |
| Two-way Audio Input | 1-ch, RCA |
| Network | |
| Incoming bandwidth | 160Mbps |
| Outgoing bandwidth | 64Mbps |
| Remote Users | 128 |
| Protocols | TCP/IP, P2P, UPnP, NTP, DHCP, PPPoE, HTTP, HTTPS, DNS, DDNS, SNMP, SMTP |
| Browser | IE(IE10/11) for Windows Firefox (version 52.0 and above) for Windows Chrome(version 45 and above) for Windows Edge(version 79 and above) for Windows |
| Video/Audio Output | |
| HDMI/VGA Output | HDMI: 4K (3840x2160) @30, 1920x1080p@60, 1920x1080p@50, 1600x1200@60, 1280x1024@60, 1280x720@60, 1024x768@60 VGA: 1920x1080p@60, 1920x1080p@50, 1280x1024@60, 1280x720@60, 1024x768@60 |
| Audio Output | 1-ch, RCA |
| Audio Compression | G.711A, G.711U |
| Recording Resolution | 8MP/5MP/4MP/3MP/1080p/960p/720p/960H/D1/2CIF/CIF |
| Synchronous Playback | 16ch |
| Liveview display | 1/4/6/8/9/16/25/36 |
| Corridor Mode Screen | 3/4/5/7/9/10/12/16/32 |
| Snapshot | |
| FTP/Schedule/Event Snapshot | 4-ch snapshot, up to D1 resolution |
| Decoding | |
| Decoding format | Ultra 265/H.265/H.264 |
| Live view/ Playback | 8MP/5MP/4MP/3MP/1080p/960p/960H/720p/D1/2CIF/CIF |
| Capability | 2 x 4K@30, 3 x 5MP@30, 4 x 4MP@30, 5 x 3MP@30, 8 x 1080p@30, 16 x 720p@30, 32 x D1 |
| Hard Disk | |
| SATA | 4 SATA interfaces |
| Capacity | Up to 8TB for each disk (The maximum HDD capacity varies with environment temperature) |
| Smart | |
| VCA Detection by Camera | Intrusion Detection, Cross Line Detection, Enter Area, Leave Area, Defocus Detection, Scene Change Detection, Object Left Behind, Object Removed, Auto Tracking, Ultra Motion Detection(UMD) |
| VCA Search | Behavior Search |

| | |
|---|---|
| People counting | People Flow Counting, Crowd Density Monitoring |
| Smart Intrusion Prevention (SIP), UMD by Camera | Total 8-ch |
| General Alarm | |
| General Alarm | Motion, Tampering, Human Body Detection, Video Loss, Alarm Input, Audio Detection |
| Alert Alarm | IP Conflict, Network Disconnected, Disk Offline , Disk Abnormal, Illegal Access, Hard Disk Space Low, Hard Disk Full, Recording/Snapshot Abnormal |
| External Interface | |
| Network Interface | 2 RJ-45 10M/100M/1000M self-adaptive Ethernet Interfaces |
| USB Interface | Rear panel: 1 x USB2.0, 1 x USB3.0 Front panel: 1 x USB2.0 |
| RS232 | NA |
| RS485 | NA |
| Alarm In | NA |
| Alarm Out | NA |
| General | |
| Power Supply | 12V DC Power Consumption: ≤ 15W(without HDD) |
| Working Environment | -10°C ~ + 55°C (+14°F ~ +131°F), Humidity ≤ 90% RH(non-condensing) |
| Dimensions (W×D×H) | 440mm × 344mm ×50mm (17.3" × 13.5" ×2.0") |
| Weight (without HDD) | ≤ 3.15 Kg (6.94 lb) |
| Certification | |
| Certification | CE, FCC, UL, RoHS, WEEE |
| CE | EN 55032: 2015, EN 61000-3-3: 2013, EN IEC 61000-3-2: 2019, EN 55035: 2017 |
| FCC | Part15 Subpart B, ANSI C63.4 |

Dimensions



Rear Panel

