

2MP ColourHunter HD Fixed Mini Bullet Analog Camera

NEU-AB120-28-CA



Introduction

NEU-AB120-28-CA is a 2MP ColourHunter HD Fixed Mini Bullet Analog Camera with a high-performance 1/3-inch CMOS sensor. It supports TVI/AHD/CVI/CVBS, which effectively enhances product adaptability and diversity of networking solutions. With SYV-75-3 or other coaxial cable types the camera can achieve low-cost, long-distance, anti-interference, and low delay mega-pixel HD video transmission. The camera provides 24/7 color images.

Features

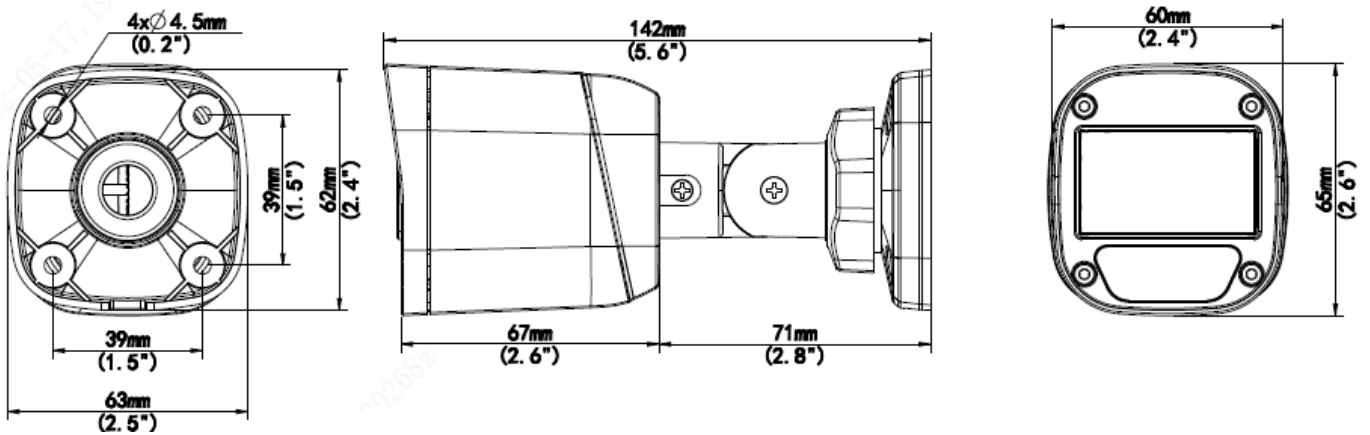
- 2MP high quality image
- TVI/AHD/CVI/CVBS
- Supports white light illumination, 24/7 color images
- Supports 180° horizontal flip, 180° vertical flip
- OSD configuration menu, easy to operate
- IP67 waterproof and dustproof design, high reliability
- OSD configuration menu in 11 languages

Specifications

Model	NEU-AB120-28-CA		
Sensor			
Pixel	2MP		
Size	1/3"		
Minimum illumination	0.01 lux (F1.6, AGC ON) 0 lux (white light on)		
Lens			
Lens	2.8mm	4.0mm	
Lens mount	M12		
Angle of view	H: 100.9° V: 56.5° D: 121.8°	H: 82.5° V: 42.1° D: 98.6°	
Illuminator			
Illuminator	One white-light illuminator		
Illumination distance	20m		
Lifetime	≥60,000 hours		
Video			
Resolution	1080P: 1920(H)×1080(V) 720P: 1280(H) ×720(V)		
Frame rate	TVI/AHD/CVI: 1080P@30fps, 1080P@25fps; 720P@30fps, 720P@25fps CVBS: PAL, NTSC		
Shutter time	PAL: 1/25s-1/50000s NTSC: 1/30s-1/50000s		
Image			
Exposure mode	4 modes: Global (default), BLC, HLC, DWDR		
Day/Night	24/7 color images		
Digital noise reduction	2D/3D		
White balance	Two modes: Auto (default), Manual		
WDR	DWDR		
Flip	Supports 180° horizontal flip, 180° vertical flip		
Interface			
Power	5.5mm power interface		
Video output	BNC, supports TVI/AHD/CVI/CVBS		
Operating environment			
Temperature	-30℃ to 60℃ (-22℉ to 140℉)		
Humidity	≤95% (RH, non-condensing)		
Surge protection	4KV		
Ingress protection	IP67		
General			
Power	DC 12V(±25%), with reverse polarity protection and surge protection, Max 2.4W		
Mount	3D bracket supplied, surface mount (default), optional backbox, pole mount bracket		
Dimensions	142mm*63mm*65mm (L*W*H)		
Material	Plastic		
Weight	145g(0.32lb)		

Certification	CB, CE, FCC
---------------	-------------

Dimensions



NEU-AB120-28-CA

Accessories

TR-JB05-A-IN

Junction Box



TR-UP06-B-IN

Pole Mount



TR-UP06-C-IN

Pole Mount



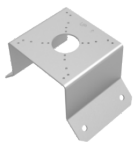
TR-A01-IN

Waterproof joint



TR-UC08-C

Corner mount



PWR-DC1201A-UK

Wall Plug-in UK Power Adapter



PWR-DC1201A-US

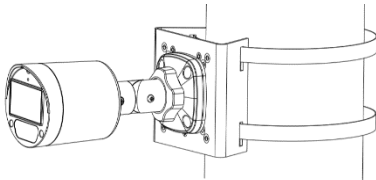
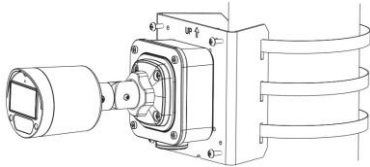
Wall Plug-in US Power Adapter



PWR-DC1201A-EU

Wall Plug-in EU Power Adapter



Mount	
TR-UP06-B-IN	TR-JB05-A-IN+TR-UP06-C-IN
	
TR-JB05-A-IN+TR-UC08-C	

