

2MP 22x Laser IR Network PTZ Dome IP Camera

IPC6242SL-X22



Key Features

Optics

- Accurate and fast focusing
- Combined IR LED and laser, up to 500m(1640ft) IR distance
- Build-in varifocal laser generator
- Optical glass window with higher light transmittance
- IR anti-reflection window to increase the infrared transmittance
- Hydrophobic film coated, water and dust repellence

Compression

- H.264 High Profile
- Triple streams
- Customized OSD

Network

- Optional network interfaces with Ethernet RJ45 and optical SFP
- NAA (Network Auto-Adaptability) to cope with up to 5% network packet loss
- UNP(Universal Network Passport) patented technology for NAT traversal
- Dual direct-to-iSCSI data block storage

- ONVIF Conformance

Structure

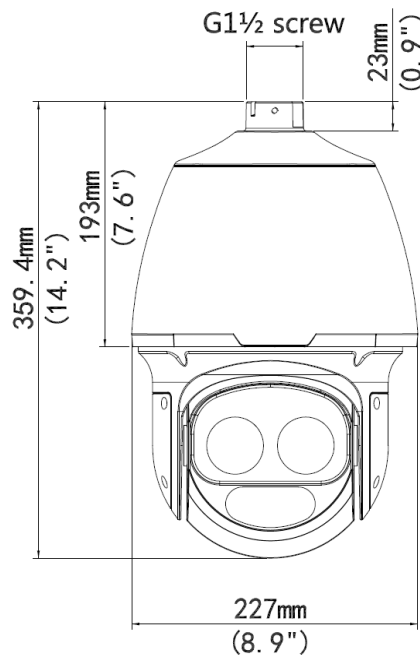
- Special structure and window design to battle bad weather (especially in dusty weather)
- Innovative snow-removing functionality
- More effective heat dissipation system
- Intelligent temperature control technology
- 6 KV surge protection designed for network interface

Specifications

Model	IPC6242SL-X22
Camera	
Sensor	1/2.8", 2Megapixel, progressive scan, CMOS
Lens	4.7 ~ 103 mm (22x optical zoom)
Angle of View (H)	61.9° (wide) ~ 3.4° (tele)
Iris	Auto/Manual; F1.6 ~ F3.2
Shutter	Auto/Manual; shutter time: 1/6 s ~ 1/8000 s
Min. Illumination	Color: 0.03 lux (F1.6, 50IRE) B/W: 0.01 lux (F1.6, 50IRE)
S/N	>52dB
Day/Night	IR-cut filter with auto switch (ICR)
Video	
Max. Resolution	1920 × 1080
Video Compression	H.264,MJPEG
Frame Rate	1080P (1920×1080):Max. 30 fps; 720P (1280×720):Max. 30 fps; D1 (720×576):Max. 25 fps
Video Streaming	Triple
OSD	Up to 8 OSDs
Privacy Mask	Up to 8 areas
DigitalZoom	Support
Audio	
Audio Compression	G.711
Two-way Talking	Support
Storage	
EdgeStorage	SD card support up to 256GB
Back-end Storage	Dual direct-to-iSCSI data block storage
Cache Post Recording	Support
Network	
Protocols	L2TP,IPv4,IGMP,ICMP,ARP,TCP,UDP,DHCP,PPPoE,RTP,RTSP,Qos,NTP,FTP,HTTP,SNMP,SIP
CompatibleIntegration	ONVIF, IMOS,API
Pan & Tilt	
Pan Range	360° (endless)

Pan Speed	0.1°/s ~ 240°/s
	Preset speed: 300°/s
Tilt Range	-15° ~ +90° (auto reverse)
Tilt Speed	0.1° ~ 160°/s
	Preset speed: 240°/s
Number of Preset	255
Patrol	Up to 16 patrols, up to 32 presets per patrol Note: The total number of patrols and patterns is 16.
Pattern	Up to 16 patterns, with the total recording time not less 15 minutes per pattern
Interface	
Audio I/O	3.5 mm audio interface
	Input: impedance 35 kΩ; amplitude 2 V [pp]
	Output: impedance 600 Ω; amplitude 2 V [pp]
Alarm I/O	2 / 1
Serial Port	1 RS485
Network	10M/100M Base-TX Ethernet
Video Output	1 BNC, impedance 75 Ω; amplitude 1 V [pp]
General	
Power Supply	24 V AC
	Power consumption: 8 ~ 45 W (IR: 7.5W, laser: 5W, motor: 7.5W, heater: Max. 14 W, fan: 3W)
Dimensions (Ø x H)	Ø227 x 359.4 mm (Ø8.9" x 14.2")
Weight	5.6 kg (12.3 lb)
Working Environment	-40°C ~ +70°C (40°F ~ 158°F), Humidity ≤ 90% RH (non-condensing)
Ingress Protection	IP66

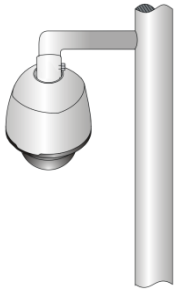
Dimensions



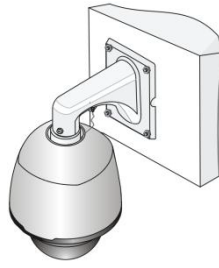
Installation



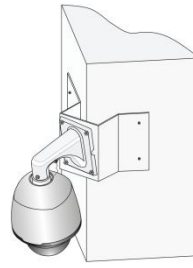
Pendant mount



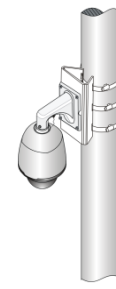
Standing pole mount



Wall mount



Corner mount



Pole mount

Accessories

Installation mode	Accessories	Description
Pendant mount	AE-TR-CE45 bracket	/
	Pendant components: AE-TR-UF45-A indoor ceiling plate AE-TR-UF45-B outdoor ceiling plate AE-TR-SE45 pendant rod(200mm) AE-TR-SE45-A pendant rod(500mm)	Ceiling plate is optional with different pendant rod for various applications
Standing pole mount	Customized bracket	The interface is designed with internal G1½ screws. The screw depth must be more than 23 mm.
Wall mount	AE-TR-WE45 bracket	/
Corner mount	AE-TR-WE45 bracket + AE-TR-UC08-A bracket	/
Pole mount	AE-TR-WE45 bracket + AE-TR-UP08-A bracket	/